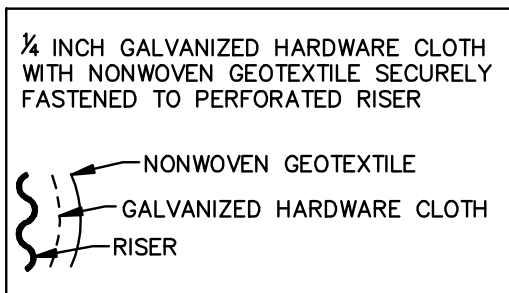
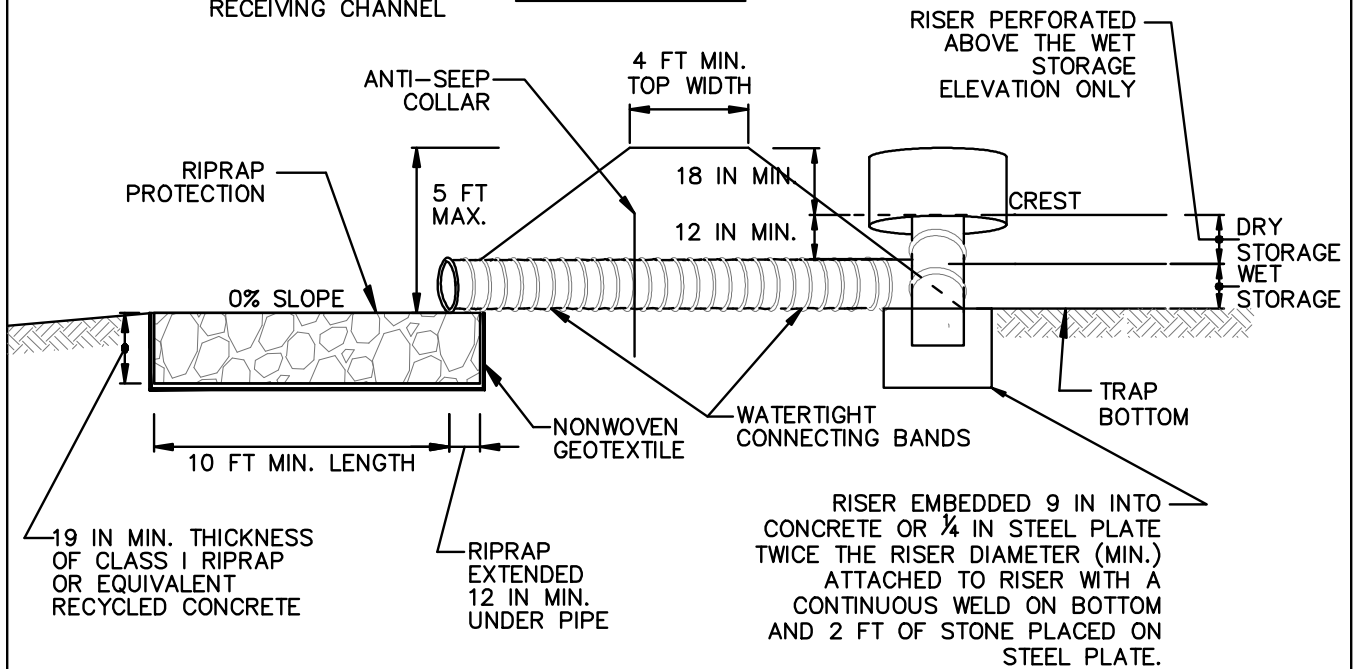
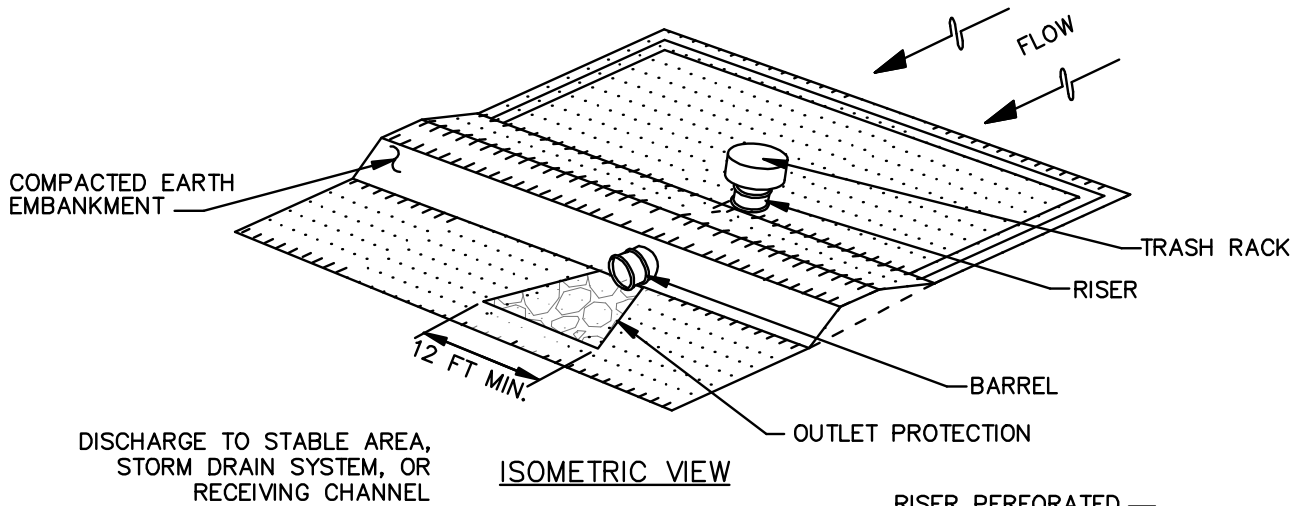


# DETAIL G-1-1 PIPE OUTLET SEDIMENT TRAP ST-I

STANDARD SYMBOL

ST-I

MAXIMUM DRAINAGE AREA = 5 ACRES



NOTE:  
 REFER TO DETAIL G-2-1 - TYPICAL ANTI-SEEP COLLARS  
 REFER TO DETAIL G-2-2 - RISER BASE  
 REFER TO DETAIL G-2-3 - CONCENTRIC TRASH RACK AND ANTI-VORTEX DEVICE