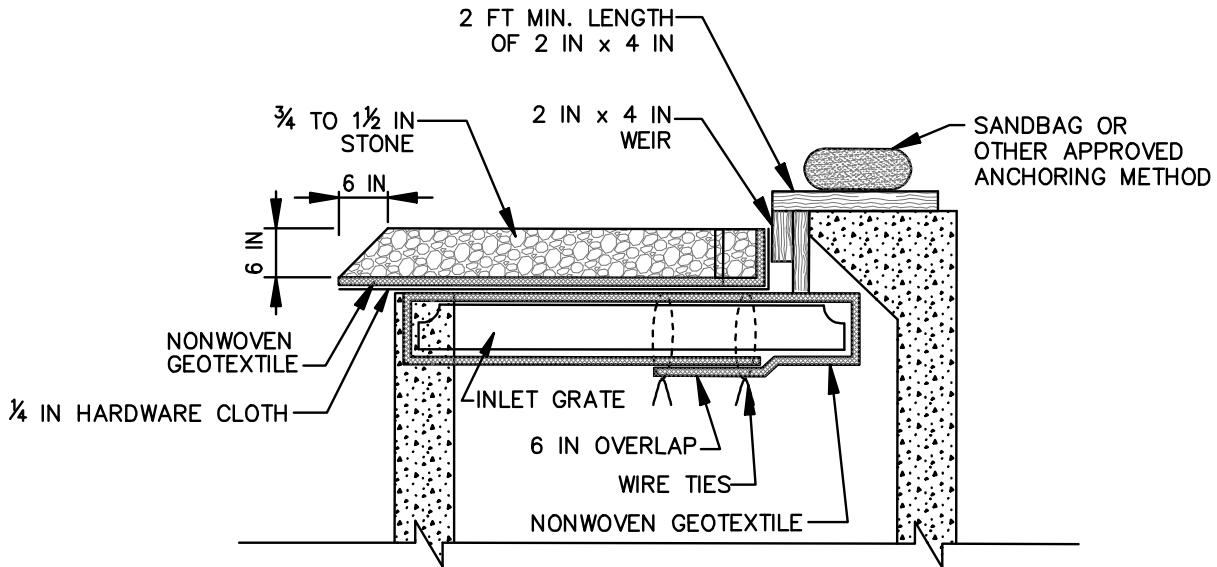


DETAIL E-9-6 COMBINATION INLET PROTECTION

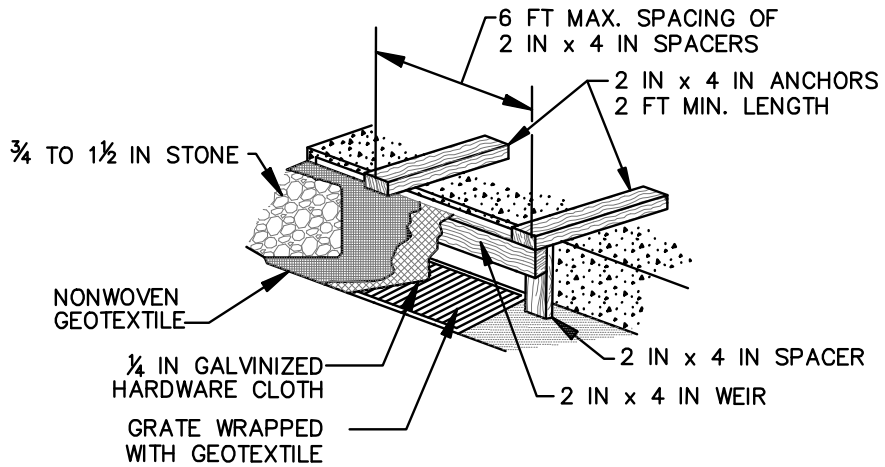
STANDARD SYMBOL



MAXIMUM DRAINAGE AREA = ¼ ACRE



SECTION



ISOMETRIC VIEW