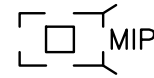
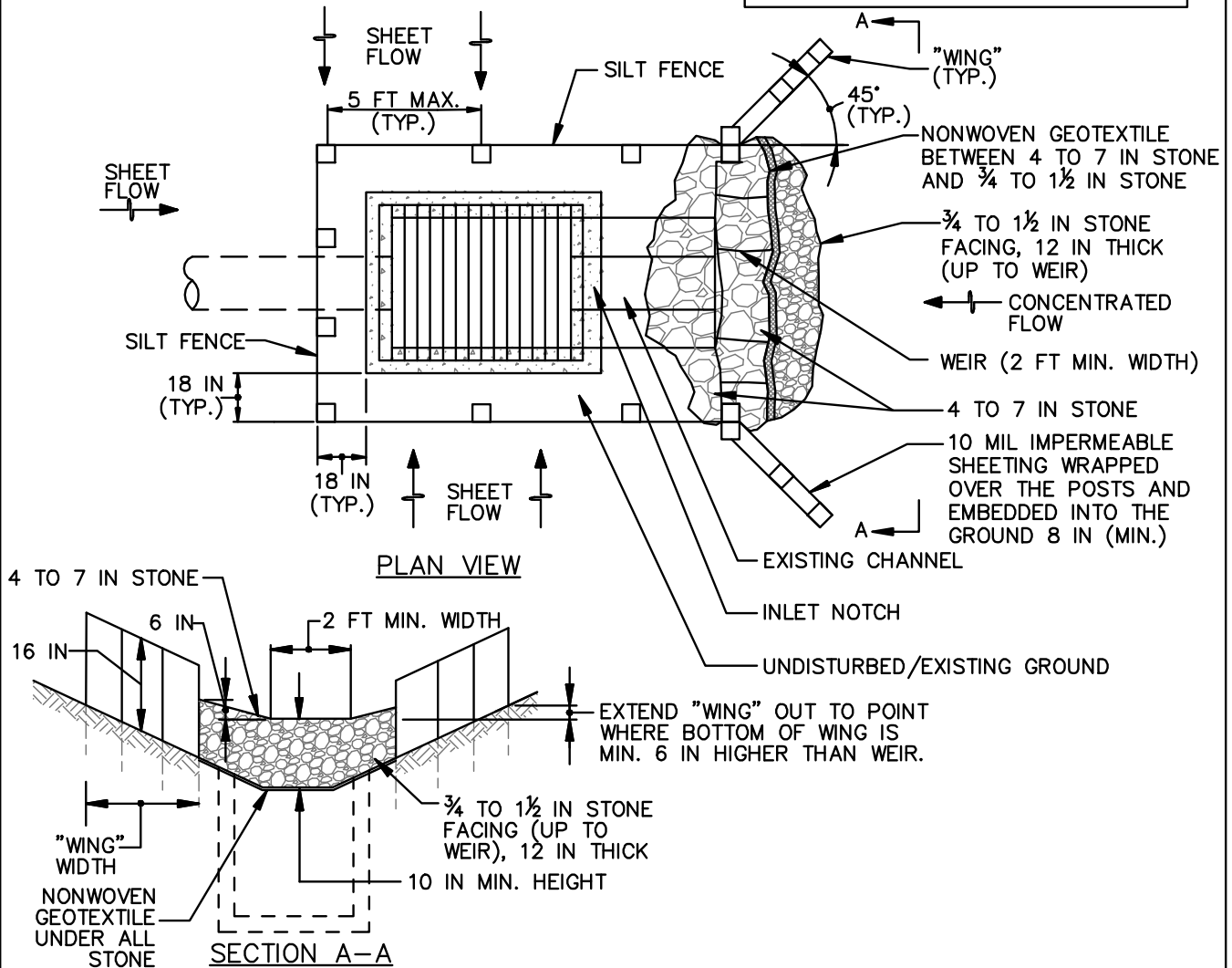


# DETAIL E-9-4 MEDIAN INLET PROTECTION

STANDARD SYMBOL



MAXIMUM DRAINAGE AREA = 1 ACRE



## CONSTRUCTION SPECIFICATIONS

1. USE NONWOVEN GEOTEXTILE AS SPECIFIED IN SECTION H-1 MATERIALS.
2. INSTALL SILT FENCE ON ALL SIDES OF INLET RECEIVING SHEET FLOW. FENCE IS TO BE INSTALLED IN ACCORDANCE WITH SILT FENCE DETAIL E-1, EXCEPT POSTS ARE TO BE SPACED A MAXIMUM OF 5 FEET APART.
3. INSTALL STONE STRUCTURE WITH THE WEIR 10 INCHES ABOVE THE INVERT OF THE CHANNEL AND THE WEIR OPENING THE SAME WIDTH AS THE CHANNEL BOTTOM OR 2 FEET MINIMUM. USE CLEAN 4 TO 7 INCH STONE OR EQUIVALENT RECYCLED CONCRETE. PLACE NONWOVEN GEOTEXTILE ON THE UPSTREAM FACE AND COVER WITH A 12 INCH THICK LAYER OF CLEAN 3/4 TO 1 1/2 INCH STONE OR EQUIVALENT RECYCLED CONCRETE.
4. CONSTRUCT "WINGS" IN ACCORDANCE WITH DIVERSION FENCE DETAIL C-9.
5. STORM DRAIN INLET PROTECTION REQUIRES FREQUENT MAINTENANCE. REMOVE ACCUMULATED SEDIMENT AFTER EACH RAIN EVENT TO MAINTAIN FUNCTION AND AVOID PREMATURE CLOGGING. IF INLET PROTECTION DOES NOT COMPLETELY DRAIN WITHIN 24 HOURS AFTER A STORM EVENT, IT IS CLOGGED. WHEN THIS OCCURS, REMOVE ACCUMULATED SEDIMENT AND CLEAN, OR REPLACE GEOTEXTILE AND STONE.

MARYLAND STANDARDS AND SPECIFICATIONS FOR SOIL EROSION AND SEDIMENT CONTROL