

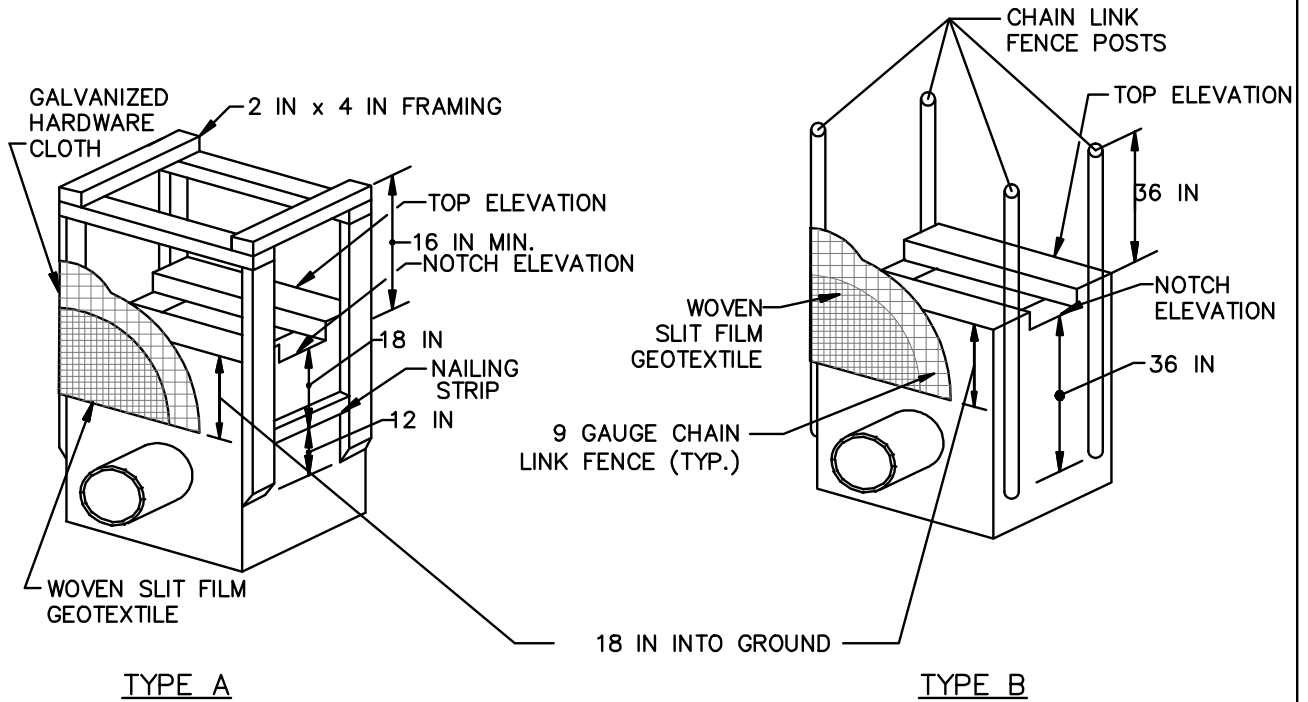
DETAIL E-9-1 STANDARD INLET PROTECTION

STANDARD SYMBOL

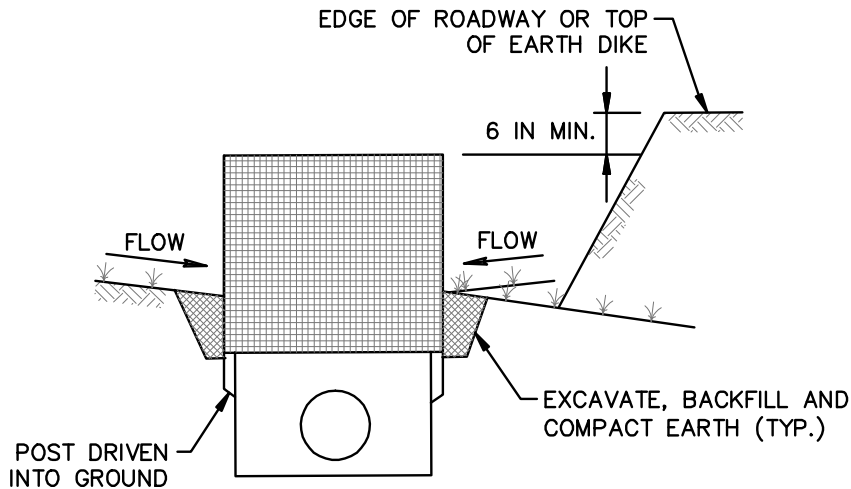


SIP

TYPE A MAXIMUM DRAINAGE AREA = 1/4 ACRE
 TYPE B MAXIMUM DRAINAGE AREA = 1 ACRE



ISOMETRIC VIEW



SECTION FOR TYPE A AND B