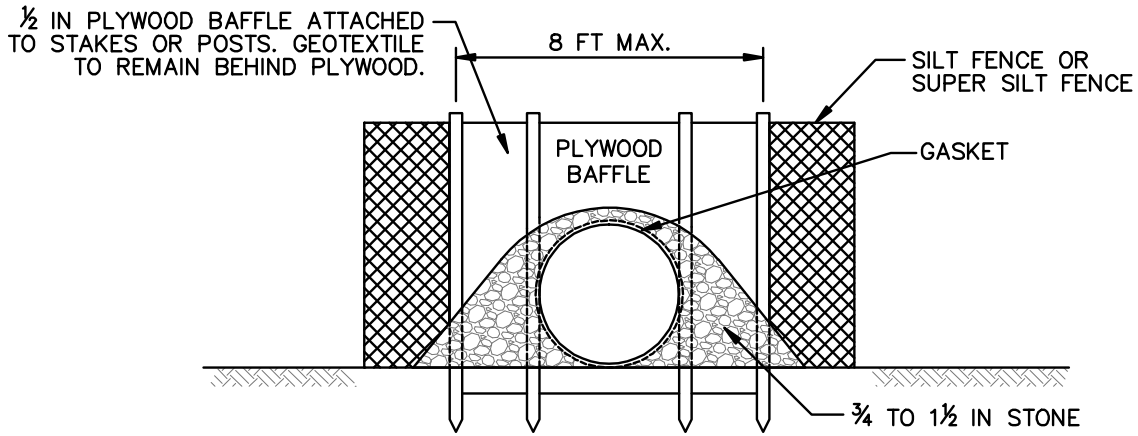
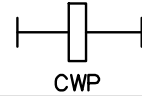
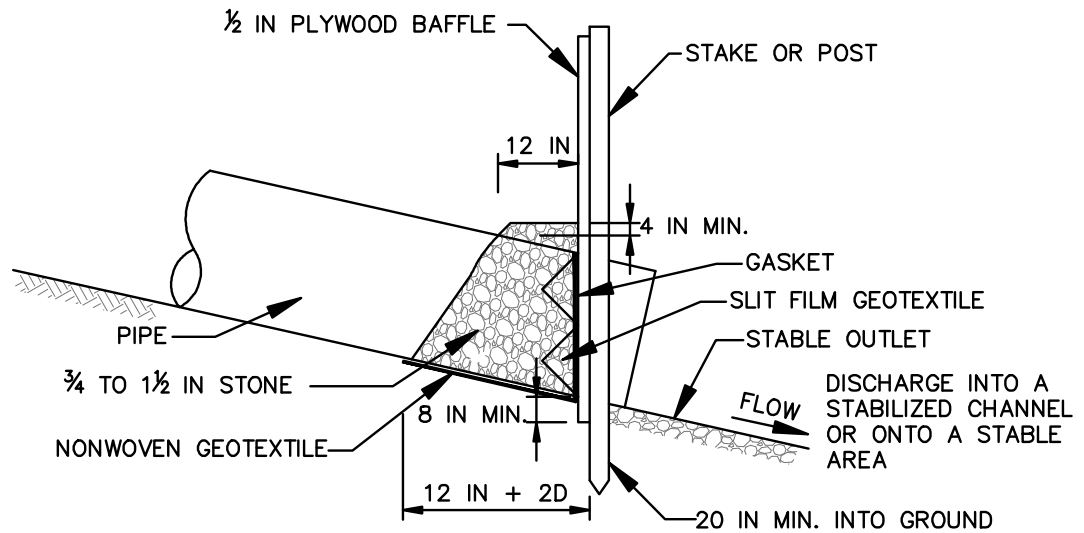


# DETAIL E-4 CLEAR WATER PIPE THROUGH SILT FENCE OR SUPER SILT FENCE

STANDARD SYMBOL



CROSS SECTION – LOOKING DOWNGRADE



PROFILE

## CONSTRUCTION SPECIFICATIONS

1. INSTALL SILT FENCE OR SUPER SILT FENCE IN ACCORDANCE WITH DETAIL E-1 OR DETAIL E-2.
2. AT THE PIPE LOCATION, CUT AND PULL BACK THE WOVEN SLIT FILM GEOTEXTILE AND CHAIN LINK FENCING. SECURE GEOTEXTILE TO PIPE WITH GASKET. INSTALL ADDITIONAL STAKES OR POSTS IF NECESSARY TO ACCOMMODATE THE INSTALLATION OF THE BAFFLE BOARD.
3. ENTRENCH 1/2 INCH PLYWOOD BAFFLE A MINIMUM OF 8 INCHES AND SECURE TO THE UPGRADE SIDE OF THE FENCE STAKES OR POSTS. BAFFLE SHOULD BE AT LEAST THE HEIGHT OF THE FENCE.
4. PLACE 3/4 TO 1 1/2 INCH STONE OR EQUIVALENT RECYCLED CONCRETE BEHIND THE PLYWOOD BAFFLE ON NONWOVEN GEOTEXTILE AND EXTEND 12 INCH MIN. ALONG TOP OF PIPE AND TO A HEIGHT OF 4 INCHES ABOVE THE TOP OF PIPE.
5. USE NONWOVEN AND WOVEN SLIT FILM GEOTEXTILES AS SPECIFIED IN SECTION H-1 MATERIALS.
6. REMOVE ACCUMULATED SEDIMENT AND DEBRIS WHEN SEDIMENT REACHES 6 INCHES IN HEIGHT. REPLACE GEOTEXTILE IF TORN. IF UNDERMINING OCCURS, REINSTALL BAFFLE, CHAIN LINK, AND GEOTEXTILE. REPLACE STONE IF DISPLACED. KEEP POINT OF DISCHARGE FREE OF EROSION.

MARYLAND STANDARDS AND SPECIFICATIONS FOR SOIL EROSION AND SEDIMENT CONTROL