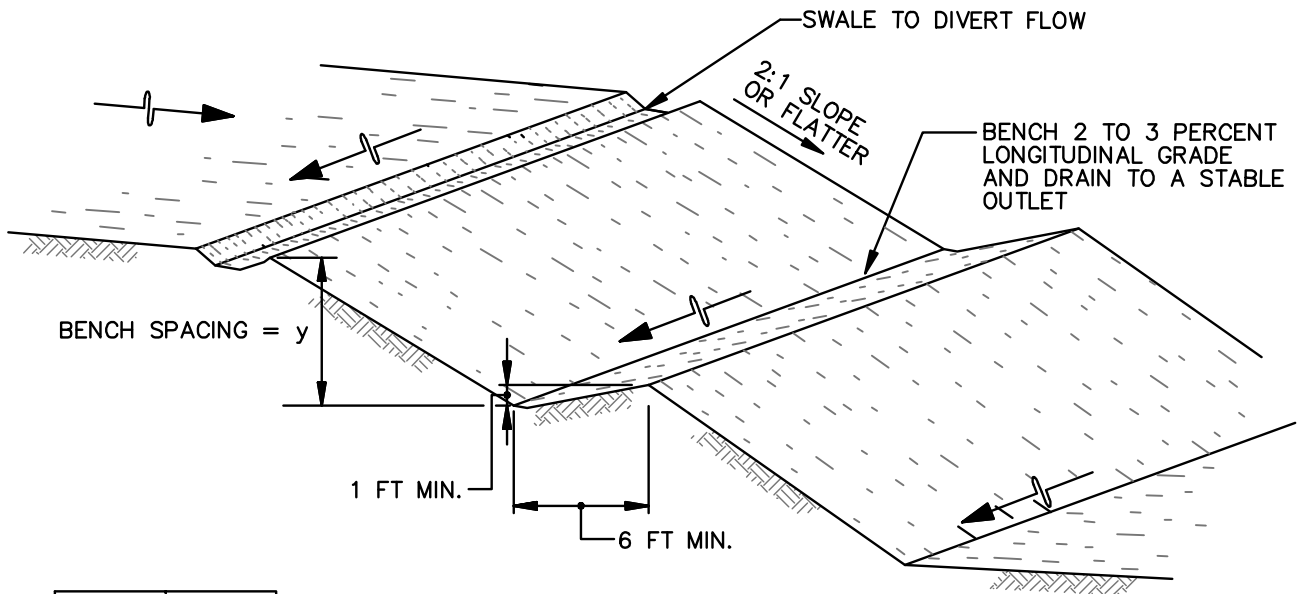


DETAIL B-3-1 BENCHING

STANDARD SYMBOL

BENCHING



SLOPE	y (MAX.)
2:1	20 FT
3:1	30 FT
4:1	40 FT

CONSTRUCTION SPECIFICATIONS

1. USE FILL MATERIAL FREE OF BRUSH, RUBBISH, ROCKS, LOGS, STUMPS, BUILDING DEBRIS, AND OTHER OBJECTIONABLE MATERIALS THAT WOULD INTERFERE WITH OR PREVENT CONSTRUCTION OF SATISFACTORY FILLS.
2. DO NOT INCORPORATE FROZEN, SOFT, MUCKY, OR HIGHLY COMPRESSIBLE MATERIALS INTO FILL SLOPES OR STRUCTURAL FILLS. DO NOT PLACE FILL ON A FROZEN FOUNDATION.
3. PLACE ALL FILL IN LOOSE LIFTS NOT TO EXCEED 8 INCHES AND THEN COMPACT.
4. COMPACT ALL FILLS AS REQUIRED TO REDUCE EROSION, SLIPPAGE, SETTLEMENT, OR OTHER RELATED PROBLEMS. COMPACT FILL INTENDED TO SUPPORT BUILDINGS, STRUCTURES, CONDUITS, ETC., IN ACCORDANCE WITH LOCAL REQUIREMENTS OR CODES.
5. HANDLE SEEPS OR SPRINGS ENCOUNTERED DURING CONSTRUCTION IN ACCORDANCE WITH SECTION H-2 SUBSURFACE DRAINS OR OTHER APPROVED METHODS.
6. MAINTAIN LINE, GRADE, AND CROSS SECTION OF BENCHING. STABILIZE IN ACCORDANCE WITH THE 3/7 DAY STABILIZATION CRITERIA OR AS SPECIFIED ON THE APPROVED EROSION AND SEDIMENT CONTROL PLAN. INSTALLATION OF EROSION CONTROL MATTING MAY BE NECESSARY IN BENCH/SWALE INVERTS. CONTINUOUSLY MEET REQUIREMENTS FOR ADEQUATE VEGETATIVE ESTABLISHMENT IN ACCORDANCE WITH SECTION B-4 VEGETATIVE STABILIZATION.
7. KEEP ALL BENCHES FREE OF SEDIMENT DURING ALL PHASES OF DEVELOPMENT.

MARYLAND STANDARDS AND SPECIFICATIONS FOR SOIL EROSION AND SEDIMENT CONTROL